



TR1300

SMD REWORK SYSTEM

Operation Manual

Thank you for purchasing this Station. Please read this manual before operating the unit. Store this manual in a safe, easily accessible place for future reference.

IX. Accessories list

Main unit	1 pcs	
Ground wire	1pcs	
Allen wrench	1pcs	
The hot pad	1pcs	
Nozzle	NK1130	1pcs
	NK2064	1pcs
	NK2084	1pcs

VIII. Nozzle disassembly and install

Nozzle install: place nozzle on the handle card slots, install the handle insert directly to the nozzle.

Nozzle disassembly: change new nozzle, place old nozzle on the handle card slots, directly pull handle.



IX. Error mark

When problems occur, various errors will be displayed. If display following error, please refer to the iron component inspection and replacement.

“Sensor broken”: sensor open circuit

“Heater broken”: heater open circuit

“Handle type”: handle type wrong

“NO handle ”: not insert handle

“Sensor shorten”: sensor short circuit

“Room sensor”: temperature detection wrong

“Heater shorten”: heater short circuit

“Power err”: power damage

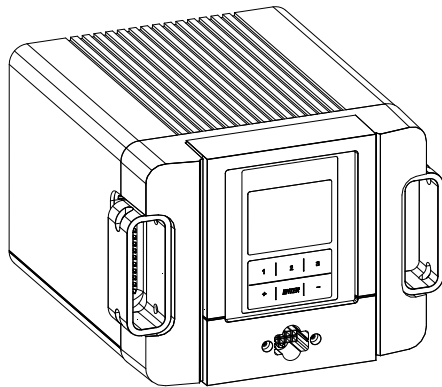
I . Safety Instruction

To prevent accidents, be sure to observe the following precautions:

1. Use the unit only in the described manner as the manual.
2. The air outlet and its surrounding area maybe very hot. Please take great care and not to be burned.
3. After work, the handle must be placed on the holder and never place the handle on the workbench or other places. The unit can be turned off only after it cools below 100°C(sleeping mode) automatically.
4. Please keep the air outlet clear and not be blocked.
5. Do not place the sharp object besides or on the tube.
6. Keep the air outlet at least 2mm from the object.
7. Select the appropriate nozzle according to demands. Differences in temperature may exist when different nozzle is used.
8. Turn off the power switch if not using in a period of time. Disconnect the power cord when not in use for a long time.
9. Handle with care not to shock the unit sharply.
10. A periodically maintenance of the unit is necessary.
11. Don't operate the unit with wet hand or when the power cord is damp to avoid short circuit or electric shock.
12. Never use this unit in flammable gases or near other flammable materials. After using, don't put it near the flammable gases or materials.
13. Some areas such as behind walls, ceilings, floors, and other panels may contain flammable materials which may not be found. The ignition of these materials could result in property damage and injury to persons. When working in these locations, move the handle back and forth and not pause at one point for protecting the flammable materials from ignition and other things from damage.
14. Children can't recognize the danger of the electrical appliance and keep the unit out of reach from children.

I . Feature

1. Multipoint temperature digital calibration, Password lock function.
2. Can preset technological parameter of three gallery, more practical.
3. Temperature alarm function, temperature changer.
4. Adopt two-stage supercharging brushless pump, air pressure stability, long life.
5. Set the parameters such as temperature, air velocity and time.
6. Ceramic heating element, plug type design.
7. Anti-static device, ESD measuring ability.
8. Online communication function.



II. Product use

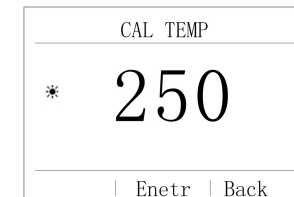
1. It is suitable to the de-soldering of the SMD components, such as SOIC, CHIP, QFP, PLCC, BGA and so on.
2. It is suitable to hot shrink, drying, remove lacquer and mucosity, thaw, preheating, disinfect and so on.
3. It is suitable to the situation with different grade airflow.
4. It is suitable to the hot air lead free de-soldering.

VI. Calibrating the Temperature

Every time after replacing heating components, to realign the outlet temperature. Adopts digital temperature calibration method, revised as key presses, easy and quick adjustment.

Calibrate by using thermometer:

1. Set the unit's temperature to a certain value.
2. When the temperature stabilizes, measure the tip's temperature with thermometer (QK196) and write down the reading.
3. Press "1" and "3" button not loosen, the soldering station enters into calibrating temperature mode and LCD display flash, press "+" or "-" key change temperature value, fit with thermometer reading, press ENTER affirm.



* Suggest 196 temperature tester measure the outlet temperature.

* Must enter the correct password can only be calibrated.

* Banned in dormant state, press 1 & 3 calibration at the same time.

VII. Sleep function description

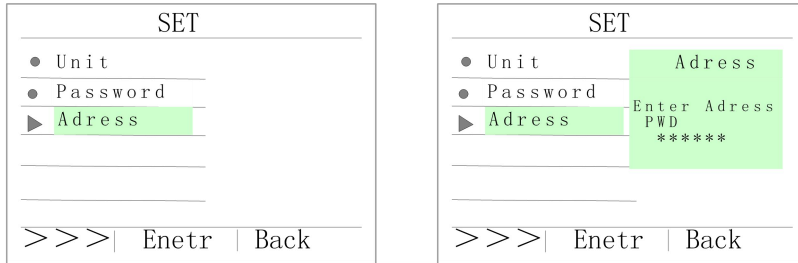
Place the handle on the hold, the machine immediately unlock the function of big air cooling, cooling to the temperature below 100 °C, enter a dormant state.

Handle is not placed on the handle, the machine reach to set the countdown, automatically enter a dormant state.

Rouse sleep: Press "+/-" rouse sleep.

5.9 Address setting

1. Press 1 , select “Address”, press ENTER, input address password by + and 1 key(password is 865637), enter into address setting interface, press enter key input address, again enter key confirm.



2.After setting , press “STORE” save, and press “Back” key return parameter setting interface, and press “Back” key return main menu.

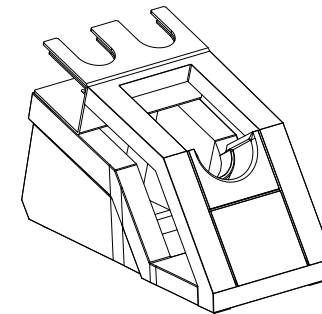
III. Specifications

Type	TR1300
Temperature displaying type	LCD
Power consumption	1000W
Working voltage	220VAC
Temperature Range	100℃~500℃/212F~932F
Temperature Stability	±2℃
Airflow setting range	6~70
Sleep time set range:	0~999, --- not sleep
Ambient Temperature(Max)	40℃
Dimension (W×D×H)	215×230×155 (mm)

IV. Use station

⚠CAUTION:

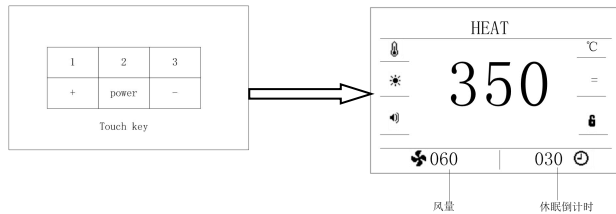
Before operation, please check whether the voltage accords with the rated voltage on the unit’s nameplate.



4.1 Turn on/off

Switch machine: can be divided into soft switch machine and hard switch machine;

1. Hard switching: power switch can realize hard switching;
2. Soft switching: “POWER” key use for soft switching, in hard switching state, long press “POWER” about 3S,turn on and working; and then press “POWER”:



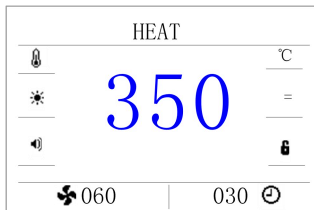
3. Turn off: long press POWER 3S, or press power switch.

4.2 Set of temperature, airflow,time

⚠CAUTION:Make sure the temperature of the unit can be adjusted

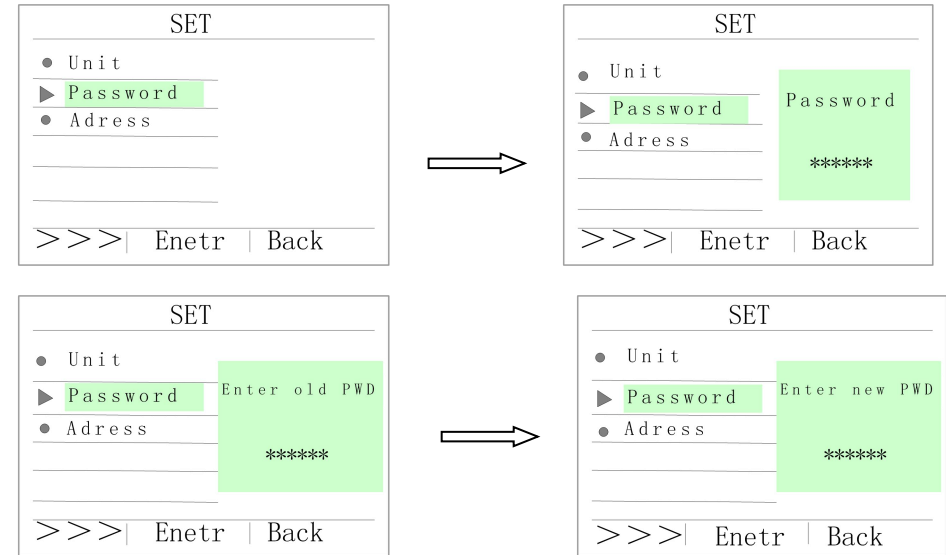
Channel switching: total three channels, working state long press on 1, 2, 3 respectively into channel 1, 2, 3.

Press 1, select current channel,temperature change to blue font, express Temperature can be adjusted,

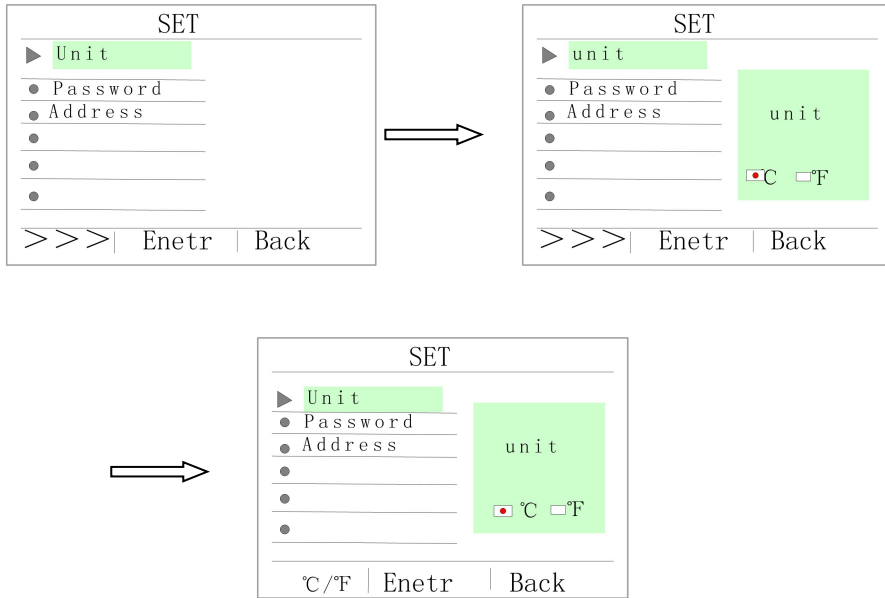


Temperature rising:

Press “+” button directly. the setting temperature will raise 1°C ,



⚠ Note: after change password, the temperature cannot be modify, enter into parameter setting interface with new right password.



2. After selecting temperature unit, press “STORE” save, press “Back” return setting interface, press “Back” again , return main menu interface.

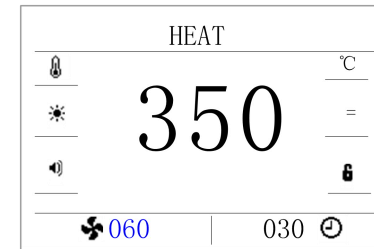
5.9 Reset password

1. press 1 , select “password”, press ENTER, enter reset password interface, press ENTER again enter into password interface, press “+” or “-” import 0, press 1 import original password 000000, press ENTER affirm, enter into new password import interface, If the two passwords are the same ,it will modify the password successfully.

press the “+” button and not loose at least 1second, the setting temperature will rise rapidly.

Temperature dropping: Press “-” button directly. the setting temperature will drop 1 °C , If press the “-” button and not loose at least 1second, the setting temperature will drop rapidly.

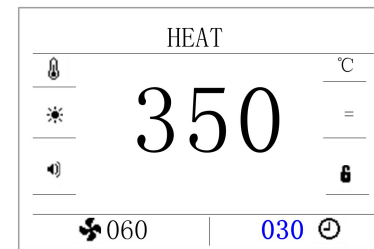
Press 2, Select the current channel corresponding airflow, airflow change to blue font Express temperature is adjustable,



Airflow rising: Press “+” button directly. the setting airflow will raise 1,press the “+” button and not loose at least 1second, the setting airflow will rise rapidly.

Airflow dropping: Press “-” button directly. the setting airflow will drop1,If press the “-” button and not loose at least 1second, the setting airflow will drop rapidly.

Press 3,Select the current channel corresponding time,airflow change to blue font Express temperature is adjustable,



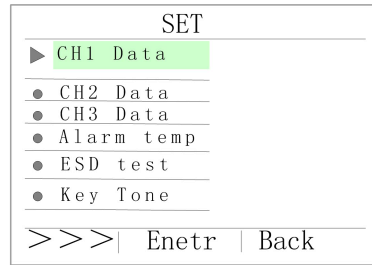
Time rising: press “+” button directly. the setting time will raise 1,press the “+” button and not loose at least 1second, the setting time will rise rapidly.

Time dropping: Press “-” button directly. the setting time will drop1,If press the “-” button and not loose at least 1second, the setting time will drop rapidly.

v.menu setting

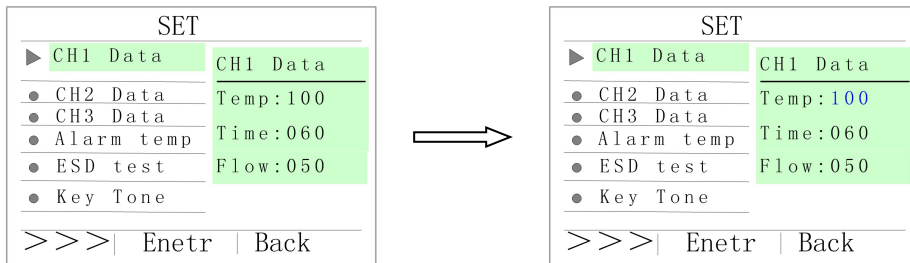
5.1 Enter into menu setting interface

1. Sleeping state, press “2”& “3” long time, enter into menu setting interface:



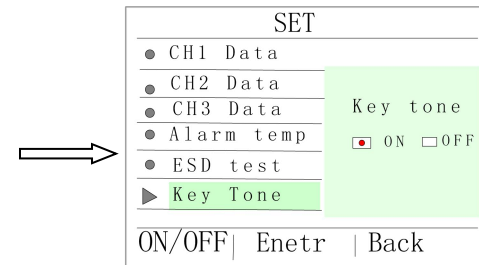
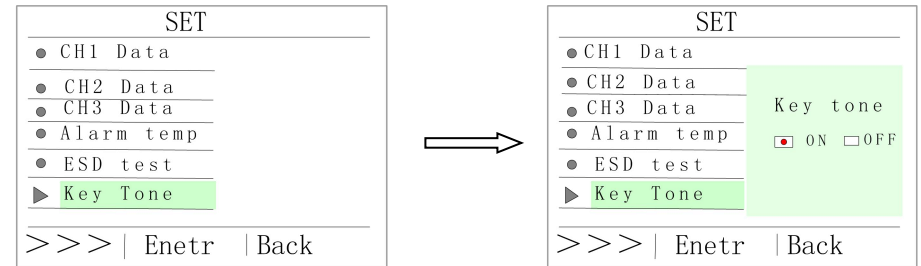
5.2 CH1 parameter setting

1. Select CH1 Data,press ENTER, enter into CH1 parameter setting, press ENTER, CH1 temperature change to blue font,CH1 temperature adjustable, “+ / -” use for change value, press 1, CH1 time change to blue font, CH1 time adjustable, “+/-” use for change value. Press 1, CH1airflow change to blue font,CH1 airflow adjustable, “+/-” use for change value.



5.7 Setting key tone

1. press 1 , select “Key tone”, press ENTER, enter into key tone setting interface, press ENTER again, enter into select key tone interface, press 1 select ON or OFF, ON express open key tone, OFF express close key tone, press “ENTER affirm.



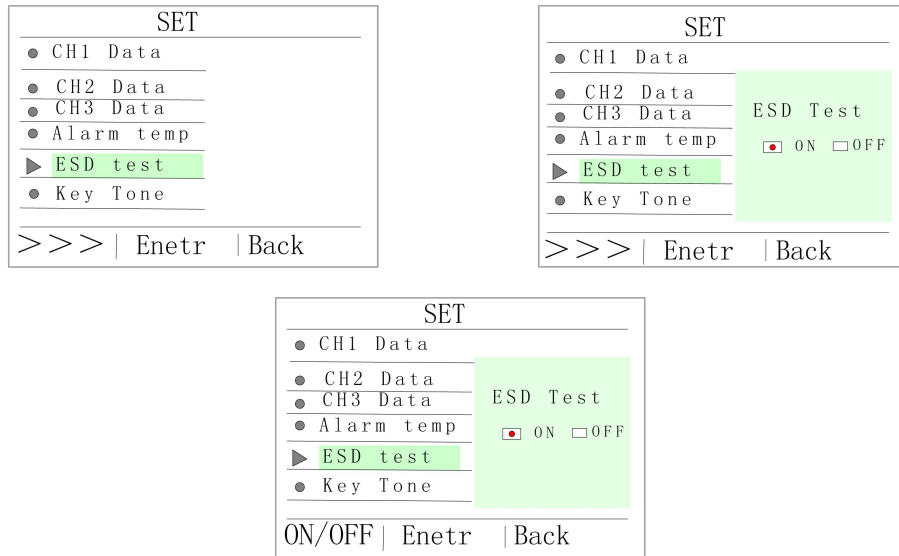
2. After setting key tone, press “STORE” key affirm, press “Back” key return parameter setting interface, press “Back” again, return setting interface.

5.8 Temperature unit Setting

1. Press 1 , select “unit”, press ENTER, enter into temperature unit setting interface, press ENTER again, enter into temperature changer select interface, press 1 select temperature unit. As following

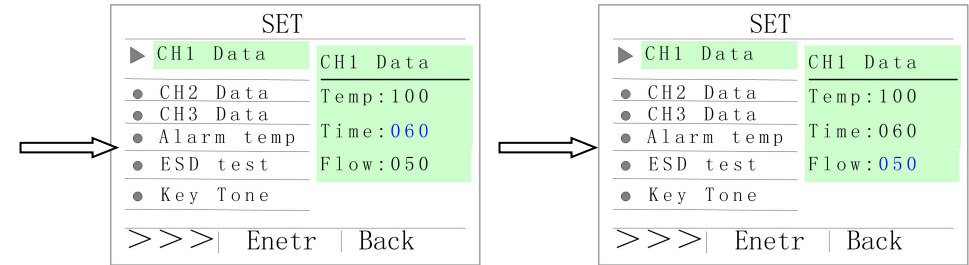
5.6 ESD function setting

1. press 1 , select “ESD test”, press ENTER, enter into ESD test interface, press ENTER again, enter into ESD select interface, press 1 select ON or OFF, ON express open ESD function, OFF express close ESD function, press “ENTER” affirm.



⚠ Note: when select ON, the ground hole must be connect with ESD ground, otherwise, alarm hint (ESD in main interface show as red)

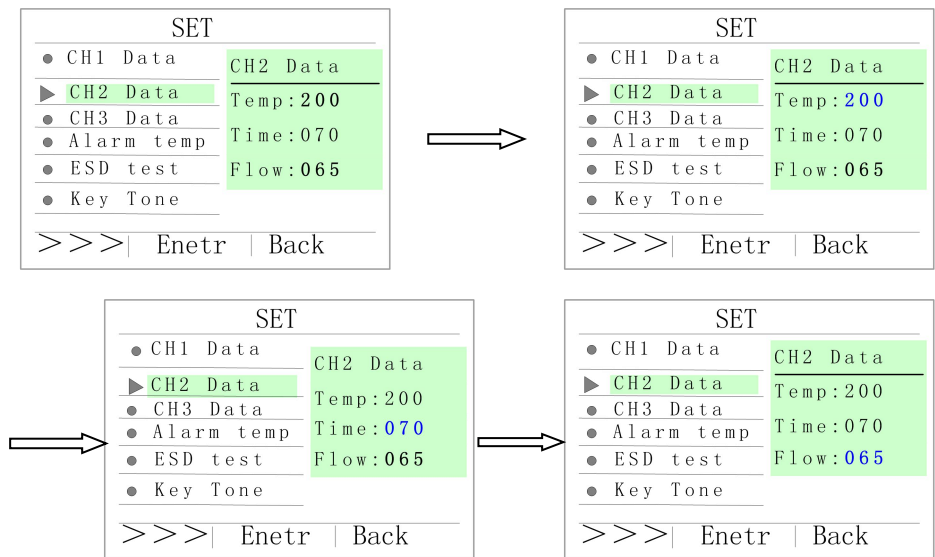
2. After setting ESD function ,press STORE save, press “Back” return parameter setting interface, press “Back” return main interface.



2. After modify, press “STORE” save, press “Back” return to setting interface, press “Back” again, return to main interface.

5.3 CH2 parameter setting

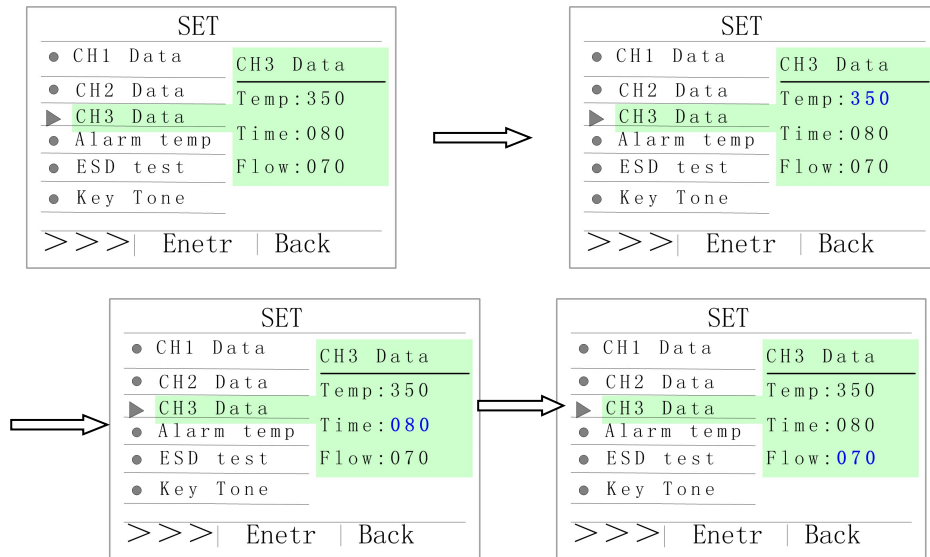
1.press 1 ,Select CH2 Data,press ENTER, enter into CH2 parameter setting, press ENTER, CH2 temperature change to blue font,CH2 temperature adjustable, “+ / -” use for change value, press 1, CH2 time change to blue font, CH2 time adjustable, “+/-” use for change value. Press 1, CH2 airflow change to blue font, CH2 airflow adjustable, “+/-” use for change value.



2. After modify, press “STORE” save, press “Back” return to setting interface, press “Back” again, return to main interface.

5.4 CH3 parameter setting

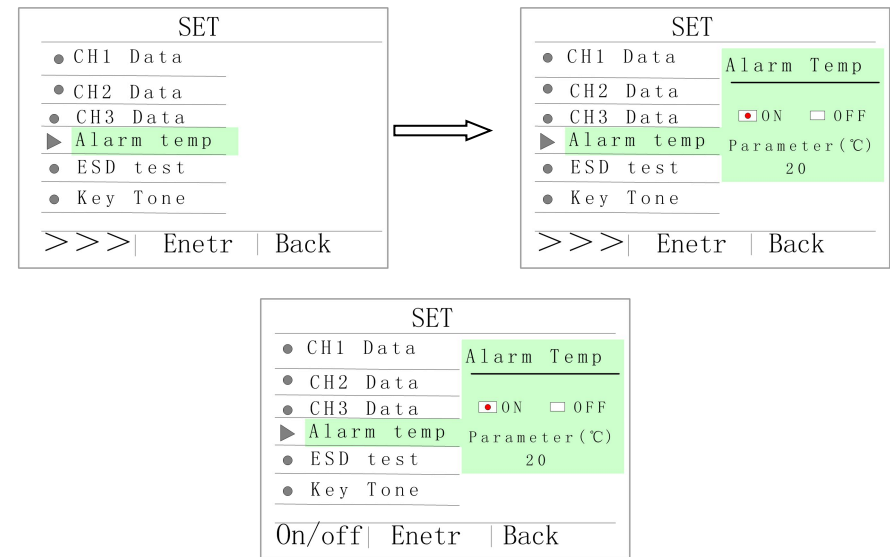
1. press 1, Select CH3 Data,press ENTER, enter into CH3 parameter setting, press ENTER, CH3 temperature change to blue font,CH3 temperature adjustable, “+ / -” use for change value, press 1, CH3 time change to blue font, CH3 time adjustable, “+/-” use for change value. Press 1, CH3 airflow change to blue font,CH3 airflow adjustable, “+/-” use for change value.



2. After modify, press “STORE” save, press “Back” return to setting interface, press “Back” again, return to main interface.

5.5 Setting alarm temperature

1. press 1 , select “Alarm temp”, press ENTER, enter into alarm temperature setting interface, press ENTER again , select temperature alarm function, press 1 select ON or OFF, OFF express not alarm, ON express alarm, press “+” or “-” modify temperature range. The range of alarm temperature is: 2~99℃.



2. After setting alarm temperature, press “store” affirm, press “Back” return parameter setting interface, press “Back” again, return menu interface.