

# USER'S MANUAL

## BM195 BM197

### Versatile Clamp-on Multimeter Series



## 1) SAFETY

This manual contains information and warnings that must be followed for operating the instrument safely and maintaining the instrument in a safe operating condition. If the instrument is used in a manner not specified by the manufacturer, the protection provided by the instrument may be impaired.

The meter protection rating, against the users, is double insulation per IEC/EN61010-1 2nd Ed., UL61010-1 2nd Ed., CAN/CSA C22.2 No. 61010.1-0.92, IEC/EN61010-2-032, UL61010B-2-032, CAN/CSA C22.2 No. 61010-2-032-04 & IEC/EN61010-031:2002/A1:2008:

Measurement Category IV 1000V AC & DC.

### **Per IEC61010-1 (2010) OVERVOLTAGE CATEGORY**

**OVERVOLTAGE CATEGORY II (CAT II)** is for equipment intended to be supplied from the building wiring. It applies both to plug-connected equipment and to PERMANENTLY CONNECTED EQUIPMENT.

**OVERVOLTAGE CATEGORY III (CAT III)** is for equipment intended to form part of a building wiring installation. Such equipment includes socket outlets, fuse panels, and some MAINS installation control equipment.

**OVERVOLTAGE CATEGORY IV (CAT IV)** is for equipment installed at or near the origin of the electrical supply to a building, between the building entrance and the main distribution board. Such equipment may include electricity tariff meters and primary overcurrent protection devices.

### **TERMS IN THIS MANUAL**

**WARNING** identifies conditions and actions that could result in serious injury or even death to the user.

**CAUTION** identifies conditions and actions that could cause damage or malfunction in the instrument.

## WARNING

To reduce the risk of fire or electric shock, do not expose this product to rain or moisture. The meter is intended only for indoor use.

To avoid electrical shock hazard, observe the proper safety precautions when working with voltages above 60 VDC or 30 VAC rms. These voltage levels pose a potential shock hazard to the user. Before and after hazardous voltage measurements, test the voltage function on a known source such as line voltage to determine proper meter functioning.









Keep your hands/fingers behind the hand/finger barriers (of the meter and the test leads) that indicate the limits of safe access of the hand-held part during measurement. Inspect test leads, connectors, and probes for damaged insulation or exposed metal before using the instrument. If any defects are found, replace them immediately. Only use the test lead provided with the equipment or UL Listed Probe Assembly rated CAT IV 1000V or better.

This Clamp-on meter is designed to apply around or remove from uninsulated hazardous live conductors. But still, individual protective equipment must be used if hazardous live parts in the installation where measurement is to be carried out could be accessible.

## CAUTION

Disconnect the test leads from the test points before changing meter functions.

## INTERNATIONAL ELECTRICAL SYMBOLS

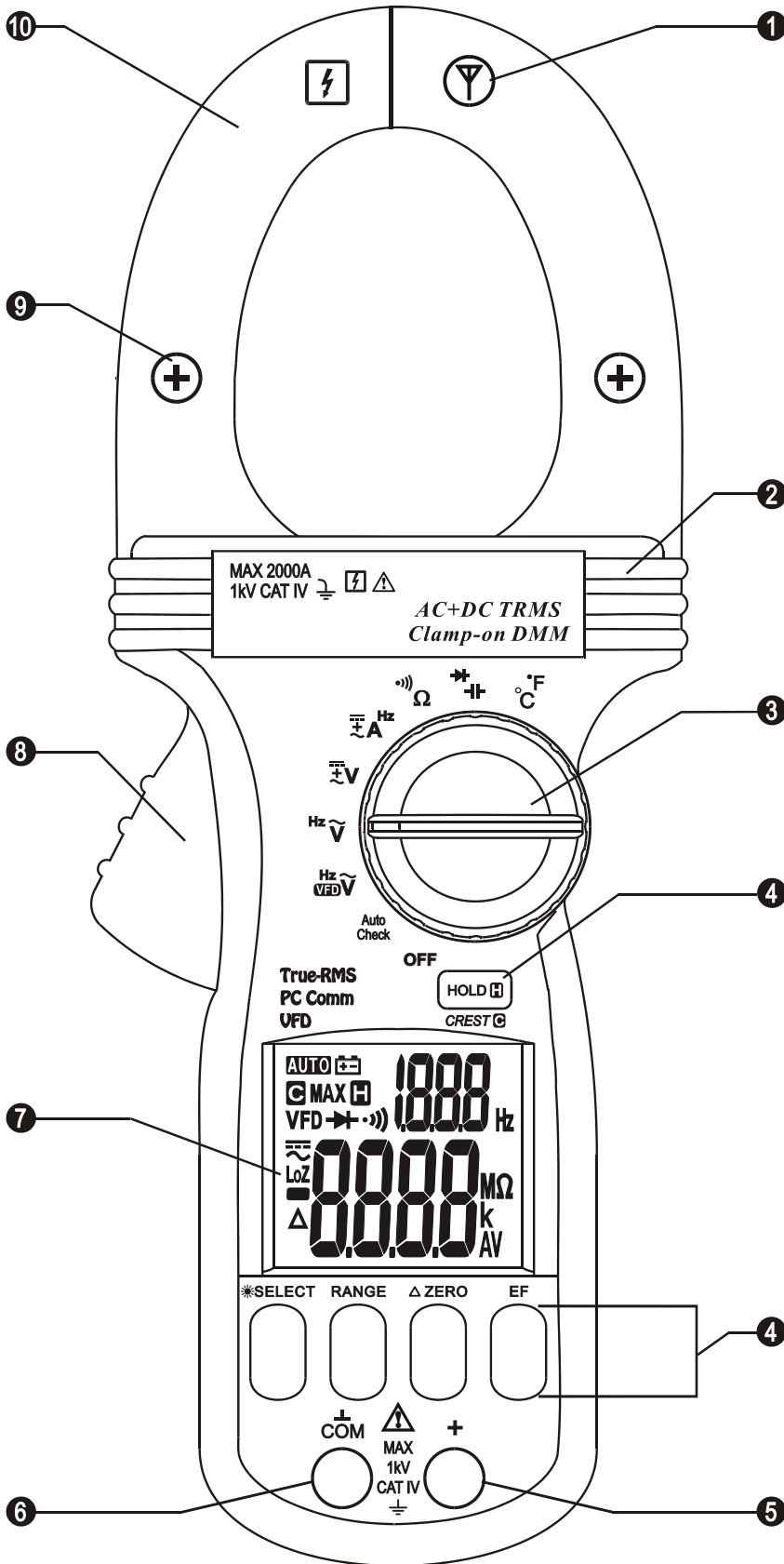
	Caution ! Refer to the explanation in this Manual
	Caution ! Risk of electric shock
	Earth (Ground)
	Double Insulation or Reinforced insulation
	Fuse
	AC--Alternating Current
	DC--Direct Current
	Application around and removal from hazardous live conductors is permitted

## 2) CENELEC Directives

The instruments conform to CENELEC Low-voltage directive 2006/95/EC and Electromagnetic compatibility directive 2004/108/EC

### 3) PRODUCT DESCRIPTION

This user's manual uses only representative model(s) for illustrations. Please refer specification details for function availability to each model.



- 1) Antenna for Non-Contact EF-Detection
- 2) Hand/Finger Barrier to indicate the limits of safe access of the meter during measurement
- 3) Rotary-switch Selector to turn the power ON/OFF and Select a function
- 4) Push-buttons for special functions & features.
- 5) Input Jack for all functions EXCEPT non-invasive DCA & ACA current functions
- 6) Common (Ground reference) Input Jack for all functions EXCEPT non-invasive DCA & ACA current functions
- 7) 3-5/6 digits 6000 counts & 3-1/2 digits 2000 counts dual numeric LCD display
- 8) Jaw trigger for opening the clamp jaw
- 9) Jaw center (& DCA polarity) Indicator, at where best DCA & ACA accuracy is specified
- 10) Hall-effect Clamp Jaw for AC & DC current magnetic field

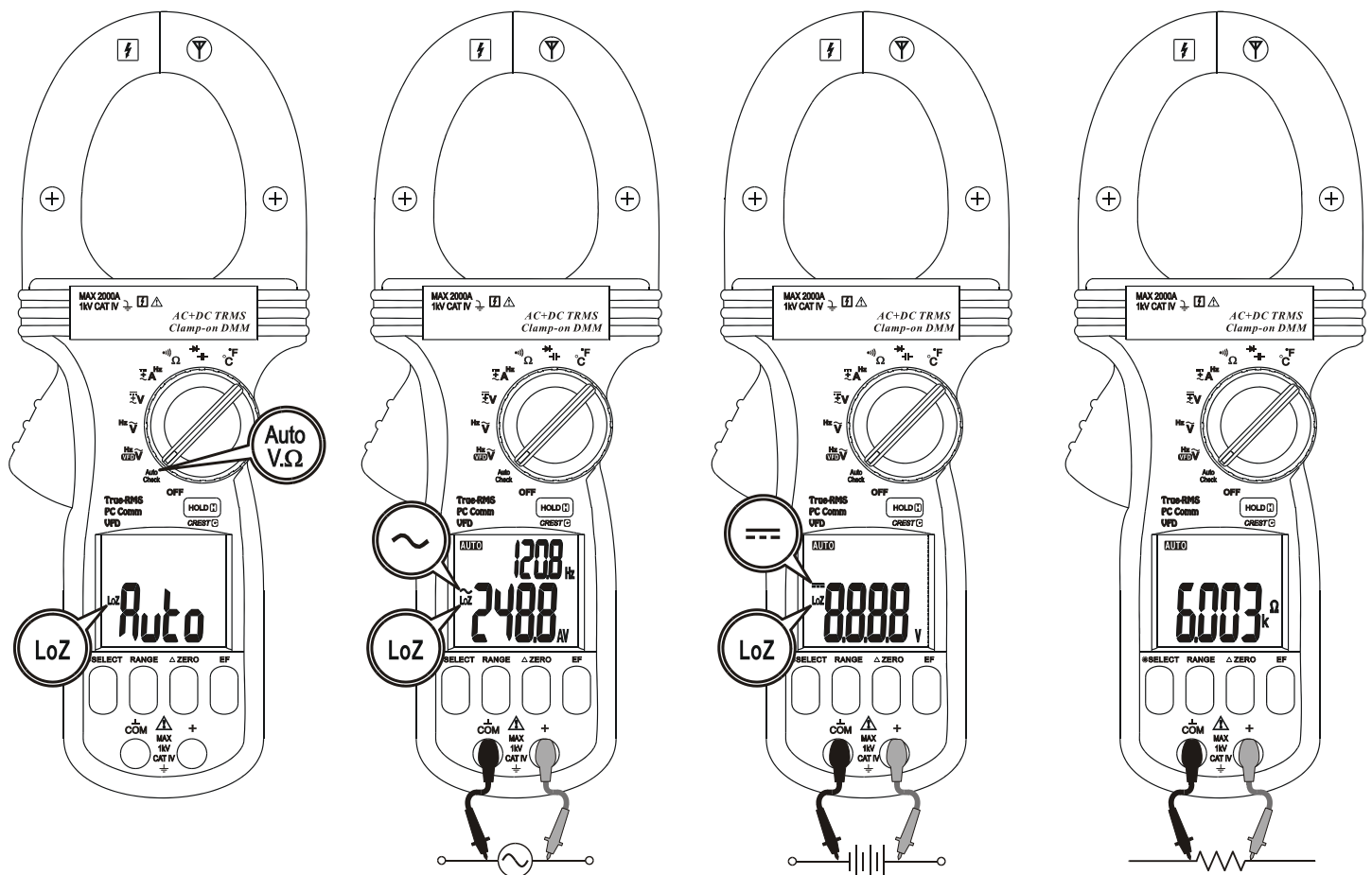
pick up

## 4) OPERATION

**CAUTION:** Before and after hazardous voltage measurements, test the voltage function on a known source such as line voltage to determine proper meter functioning.

### AutoCheck™ mode

This innovative **AutoCheck™** feature automatically selects measurement function of **ACV<sup>Hz</sup>**, **DCV**, or **Resistance ( $\Omega$ )** based on the input via test leads.



- With no input, the meter displays “**Auto**” when it is ready.
- With no voltage signal but a resistance below  $10\text{M}\Omega$  (nominal) is present, the meter displays the resistance value. When the resistance is below the “Audible Threshold”, the meter further gives a continuity beep tone.
- When a signal above the voltage threshold of 1.5V DC or AC up to the rated 1000V is present, the meter displays the voltage value in appropriate DCV or ACV, whichever larger in peak magnitude.

### Note:

**\*Range-Lock and Function-Lock Feature:** When a measurement reading is being displayed in **AutoCheck™** mode, press the **RANGE** or **SELECT** button momentarily 1 time can lock the range or function it was in. Press the button momentarily repeatedly to

step through the ranges or functions.

**\*As Hazardous-Alert:** When making resistance measurements in **AutoCheck™** mode, an unexpected display of voltage readings alerts you that the object under test is being energized.

**\*Ghost-voltage Buster:** Ghost-voltages are unwanted stray signals coupled from adjacent hard signals, which confuse common multimeter voltage measurements. Our **AutoCheck™** mode provides low (ramp-up) input impedance (approx.  $2.5k\Omega$  at low voltage) to drain ghost voltages leaving mainly hard signal values on meter readings. It is an invaluable feature for precise indication of hard signals, such as distinguishing between hot and open wires (to ground) in electrical installation applications.

### **WARNING:**

**AutoCheck™** mode input impedance increases abruptly from initial  $2.5k\Omega$  to a few hundred  $k\Omega$ 's on high voltage hard signals. "**LoZ**" displays on the LCD to remind the users of being in such low impedance mode. Peak initial load current, while probing 1000VAC for example, can be up to 566mA ( $1000V \times 1.414 / 2.5k\Omega$ ), decreasing abruptly to approx. 3.37mA ( $1000V \times 1.414 / 420k\Omega$ ) within a fraction of a second. Do not use **AutoCheck™** mode on circuits that could be damaged by such low input impedance. Instead, use rotary-switch selector  $\tilde{V}$  or  $\bar{V}$  high input impedance voltage modes to minimize loading for such circuits.

### **VFD-ACV<sup>Hz</sup> & ACV<sup>Hz</sup> functions**

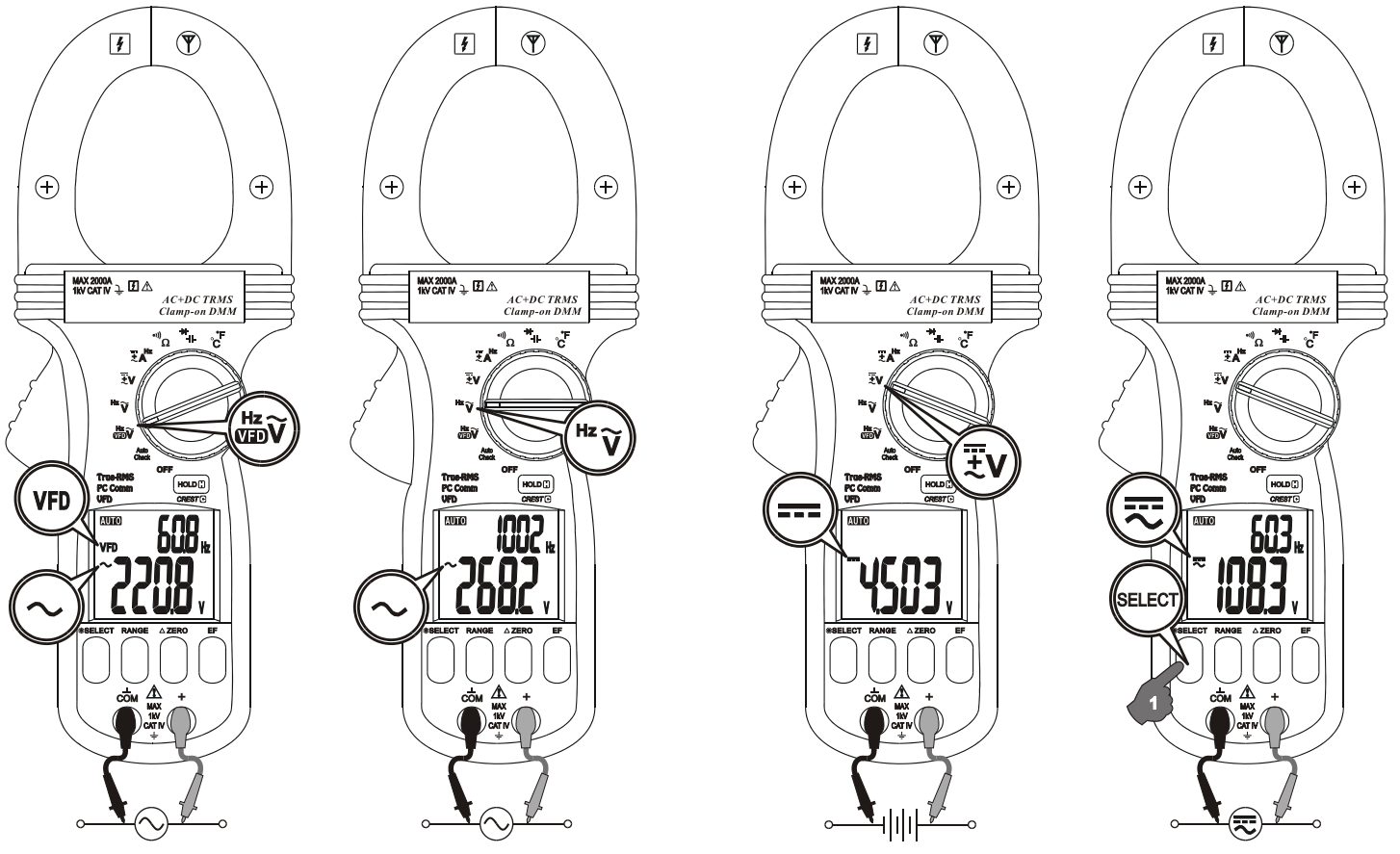
Inputs are made through the test leads terminals.

**VFD-ACV<sup>Hz</sup>** function is to deal with VFD (Variable Frequency Device) signals. It, however, further pre-selects the most appropriate voltage-ranges and thus the Hz trigger levels to best cope with most VFD-Voltage and VFD-Frequency applications.

Note: The Hz trigger level is determined by the **AC/DC+AC Voltage or Current** function-range being in use. Press **RANGE** button to select different function-ranges and thus trigger levels manually.

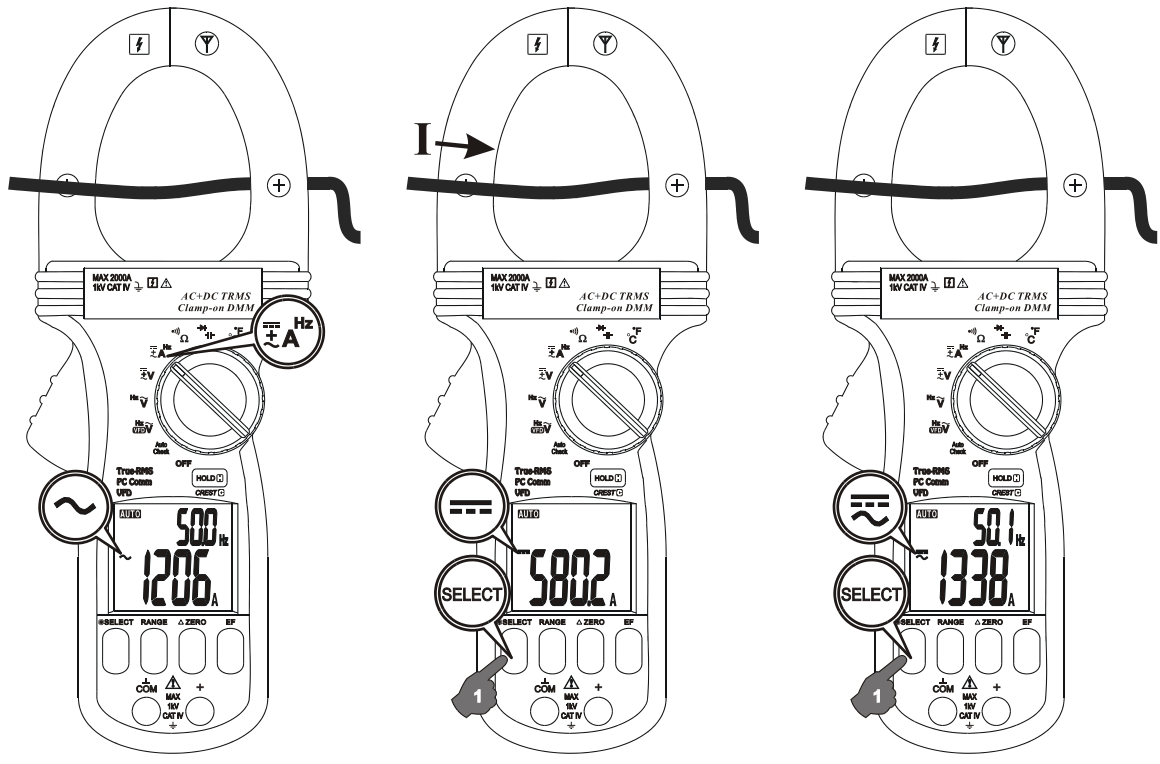
### **DCV & DC+ACV<sup>Hz</sup> (Model 197 only) functions**

Inputs are made through the test leads terminals. Defaults at **DCV** Function. Press **SELECT** button momentarily and release to select **DC+ACV<sup>Hz</sup>**.



### ACA Hz, DCA & DC+ACA Hz (Model 197 only) functions

Input is made through the clamp jaws for non-invasive current measurements. Defaults at **ACA Hz** Function. Press **SELECT** button momentarily and release to select the subject functions in sequence.





### **CAUTION (Application and removal of the Clamp-on meter)**

For non-invasive current measurements, press the jaw trigger and clamp the jaws around conductor(s) of only one single pole of a circuit for load current measurement. Make sure the jaws are completely closed, or else it will introduce measurement errors. Enclosing conductor(s) of more than one pole of a circuit may result in differential current (like identifying leakage current) measurement. Locate the conductor(s) at the Jaws center as much as possible to get the best measuring accuracy. For removal, press the jaw trigger and remove the jaws from the conductor(s).

Adjacent current-carrying devices such as transformers, motors and conductor wires will affect measurement accuracy. Keep the jaws away from them as much as possible to minimize influence.

### **$\Omega$ Resistance & $\rightarrow$ ) Continuity functions**

Inputs are made through the test leads terminals. Defaults at  **$\Omega$  Resistance**. Press **SELECT** button momentarily and release to select.  **$\rightarrow$ ) Continuity**

### **$\leftarrow$ Capacitance & $\rightarrow$ Diode functions**

Inputs are made through the test lead terminals. Defaults at  **$\leftarrow$  Capacitance**. Press **SELECT** button momentarily and release to select  **$\rightarrow$  Diode**.

### **Note**

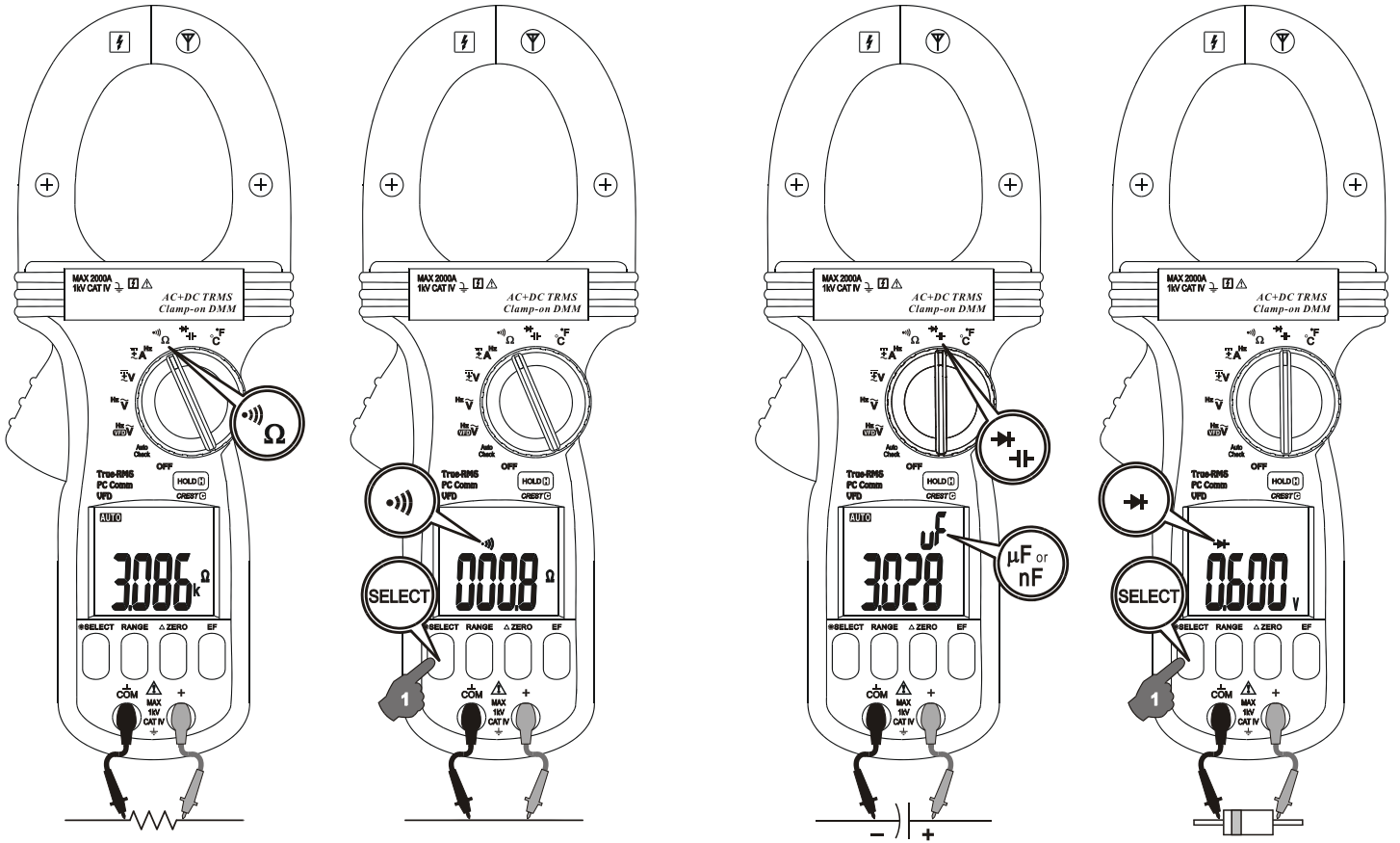
*When using Diode test function, normal forward voltage drop (forward biased) for a good silicon diode is between 0.400V to 0.900V. A reading higher than that indicates a leaky diode (defective). A zero reading indicates a shorted diode (defective). An OL indicates an open diode (defective). Reverse the test leads connections (reverse biased) across the diode. The digital display shows OL if the diode is good. Any other readings indicate the diode is resistive or shorted (defective).*

### **CAUTION**

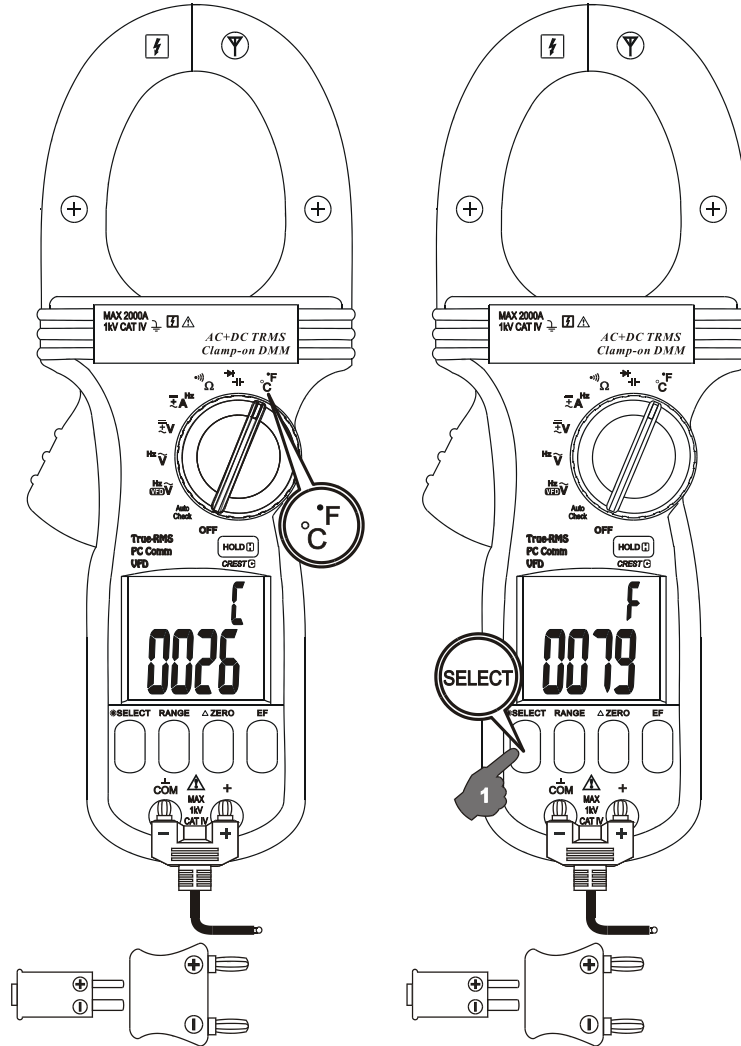
*1. Using Resistance, Continuity, Diode or Capacitance function in a live circuit will produce false results and may damage the meter. In many cases the suspected component(s) must be disconnected from the circuit to obtain an accurate measurement reading.*



2. When using Capacitance function, discharge capacitor(s) before making any measurements. Large value capacitors should be discharged through an appropriate resistance load



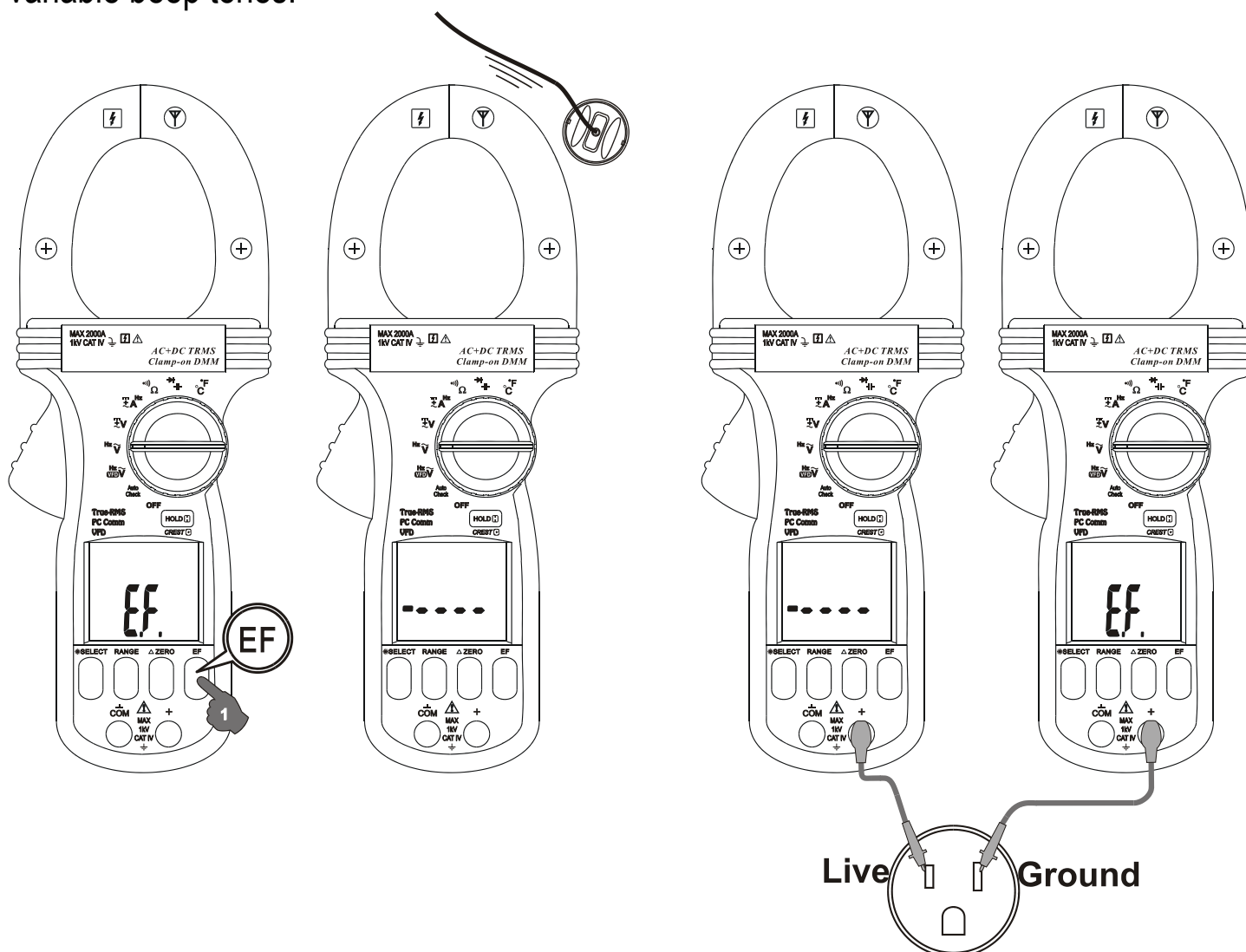
## Temperature function (Model 197 only)



Defaults at °C (Celsius) readings. Press **SELECT** button momentarily and release to select °F (Fahrenheit) readings. Inputs are made through the test leads terminals. Be sure to insert the banana plug type-K temperature bead probe Bkp60 with correct **+** **-** polarities. You can also use a plug adapter Bkb32 (Optional purchase) with banana pins to type-K socket to adapt other type-K standard mini plug temperature probes.

## Electric Field EF-Detection

In Voltage or Current function, press the EF button for one second or more and release to toggle to EF-Detection feature. The meter displays “E.F.” when it is ready. Signal strength is indicated as a series of bar-graph segments on the display together with variable beep tones.



- **Non-Contact EF-Detection:** An antenna is located along the top-right end of the clamp jaw, which detects electric field surrounds energized conductors. It is ideal for tracing live wiring connections, locating wiring breakage and to distinguish between live or earth connections.

- **Probe-Contact EF-Detection:** For more precise indication of live wires, such as distinguishing between live and ground connections, use the Red (+) test probe for direct contact measurements.

## PC computer interface capabilities

The instrument equips with an optical isolated interface port at the meter back for data communication. Optional purchase PC interface kit BRUA-19X is required to connect

the meter to the PC computer RS232 or USB ports. *Press and hold the **HOLD** button while turning the meter on to enable meter PC-COMM output.*

## Hold

The hold feature freezes the display for later view. Press the **HOLD** button momentarily and release to toggle the hold feature.

## 5ms CREST-MAX capture mode

Press **CREST** (HOLD) button for one second or more and release to activate CREST-MAX capture (Instantaneous Peak-Hold) mode to capture signal peak of voltage or current in duration as short as 5ms. The LCD "**C**" & "**MAX**" turn on. Press again the button momentarily and release can toggle the combination use of HOLD feature. Press the button for 1 second or more and release to exit CREST-MAX capture mode. Auto-ranging and Auto-Power-Off are disabled automatically in this mode.

## Backlight LCD display (Models 197 only)

Press the **SELECT** button for 1 second or more to toggle the LCD backlight. The backlight will also be turned off automatically after 32 seconds to extend battery life.

## Relative-Zero ( $\Delta$ ) mode

Relative-Zero allows the user to offset the meter consecutive measurements with the main display displaying reading as the reference value. Press the **REL** button momentarily and release to toggle Relative-Zero mode.

## Manual or Auto-ranging

Press the **RANGE** button momentarily and release to select manual-ranging, and the meter will remain in the range it was in, the LCD **AUTO** turns off. Press the button again to step through the ranges. Press and hold the button for 1 second or more and release to resume auto-ranging.

Note: Manual-ranging feature is not available in **Hz** and **Hz** function ranges.

## Set Beeper Off

Press the **RANGE** button while turning the meter on to temporarily disable the Beeper feature. Turn the rotary switch OFF and then back on to resume.

## Auto-Power-Off (APO)

The Auto-Power-Off (APO) mode turns the meter off automatically to extend battery life after approximately 34 minutes of no rotary switch or push button operations. To wake up the meter from APO, press the **SELECT** button momentarily and release or turn the

rotary switch OFF and then back on. Always turn the rotary switch to the OFF position when the meter is not in use

### **Disabling Auto-Power-Off**

Press and hold the **SELECT** button while turning the meter on to temporarily disable the Auto-Power-Off (APO) feature. Turn the rotary switch OFF and then back on to resume.

## **5) MAINTENANCE**

### **WARNING**

To avoid electrical shock, disconnect the meter from any circuit, remove the test leads from the input jacks and turn OFF the meter before opening the case. Do not operate with open case.

### **Trouble Shooting**

If the instrument fails to operate, check batteries and test leads etc., and replace as necessary. Double check operating procedure as described in this user's manual.

If the instrument voltage-resistance input terminal has subjected to high voltage transient (caused by lightning or switching surge to the system under test) by accident or abnormal conditions of operation, the protective impedance components in series might be blown off (become high impedance) like fuses to protect the user and the instrument. Most measuring functions through this terminal will then be open circuit. Such components should then be replaced by qualified technician. Refer to the LIMITED WARRANTY section for obtaining warranty or repairing service.

### **Accuracy and Calibration**

Accuracy is specified for a period of one year after calibration. Periodic calibration at intervals of one year is recommended to maintain meter accuracy. Refer to the LIMITED WARRANTY section for obtaining calibration, repairing or warranty service.

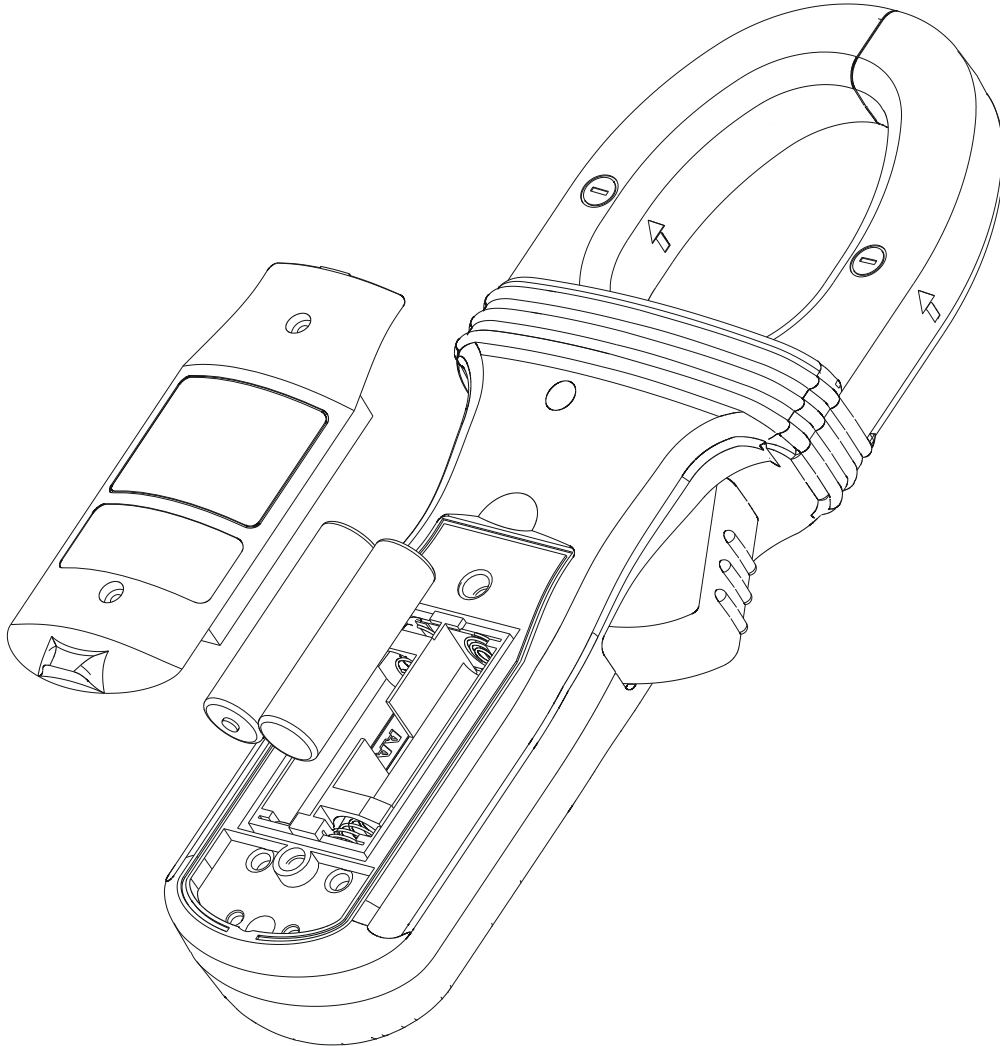
### **Cleaning and Storage**

Periodically wipe the case with a damp cloth and mild detergent; do not use abrasives or solvents. If the meter is not to be used for periods of longer than 60 days, remove the batteries and store them separately.

## Battery replacement

The meter uses standard 1.5V AA Size (IEC LR6) battery X 2

Loosen the 2 captive screws from the battery cover case. Lift the battery cover case. Replace the batteries. Replace battery cover case. Re-fasten the screws.



## GENERAL SPECIFICATIONS

**Display:** 3-5/6 digits 6000 counts. & 3-1/2 digits 1,999 counts for Hz

**Polarity:** Automatic

**Update Rate:** 5 per second nominal;

**Operating Temperature:** 0°C to 40°C

**Relative Humidity:** Maximum relative humidity 80% for temperature up to 31°C decreasing linearly to 50% relative humidity at 40°C

**Pollution degree:** 2

**Storage Temperature:** -20°C to 60°C, < 80% R.H. (with battery removed)

**Altitude:** Operating below 2000m

**Temperature Coefficient:** nominal  $0.15 \times (\text{specified accuracy}) / ^\circ\text{C} @ (0^\circ\text{C} -- 18^\circ\text{C} \text{ or } 28^\circ\text{C} -- 40^\circ\text{C})$ , or otherwise specified

**Sensing:** Average sensing for model 195; True RMS for model 197

**Safety:** Double insulation per IEC/EN61010-1 2nd Ed., UL61010-1 2nd Ed. & CAN/CSA C22.2 No. 61010.1-0.92 to CAT IV 1000V AC & DC

**Transient Protection:** 12kV (1.2/50 $\mu$ s surge)

### Overload Protections:

Clamp-on jaws: 2000A rms continuous

“ + “ & COM Terminals (all other functions): 1000V rms

**E.M.C.:** Meets EN61326-1:2006 (EN55022, EN61000-3-2, EN61000-3-3, EN61000-4-2, EN61000-4-3, EN61000-4-4, , EN61000-4-5, EN61000-4-6, EN61000-4-8, EN61000-4-11)

In an RF field of 3V/m:

Capacitance function is not specified

Other function ranges: Total Accuracy = Specified Accuracy + 200 digits

Performance above 3V/m is not specified

**Power Supply:** 1.5V AA Size (IEC LR6) battery X 2

**Power Consumption:** Typical 14mA for Current functions, and 5.2mA for others

**Low Battery:** Below approx. 2.4V

**APO Timing:** Idle for 34 minutes

**APO Consumption:** 10 $\mu$ A typical

**Dimension:** L264mm X W97mm X H43mm

**Weight:** 608 gm

**Jaw opening & Conductor diameter :** 55mm max

**Accessories:** Test leads (pair), user's manual, Bkp60 banana plug K-type thermocouple x 1 (Model 197 only)

**Optional purchase accessories:** USB interface kit BRUA-19X; BKB32 banana plug to type-K socket plug adaptor (Model 197 only)

**Special Features:** AutoCheck™ V& $\Omega$ ; VFD-V & VFD-Hz; Backlighted LCD (Model 197 only); 5ms CREST-MAX Capture mode (Peak Hold); Auto-ranging Relative-Zero mode; Display Hold; EF-Detection (NCV); Optional Interface capabilities with PC computers



## Electrical Specifications

Accuracy is  $\pm$ (% reading digits + number of digits) or otherwise specified, at  $23^{\circ}\text{C} \pm 5^{\circ}\text{C}$  & less than 75% relative humidity.

True RMS model 197 voltage accuracies are specified from 5 % to 100 % of range or otherwise specified. Maximum Crest Factor < 1.4 : 1 at full scale & < 2.8 : 1 at half scale, and with frequency components within the specified frequency bandwidth for non-sinusoidal waveforms.

### DC Voltage

RANGE	Accuracy
6.000V, 60.00V, 600.0V & 1000V	0.5%+5d

Input Impedance:  $10\text{M}\Omega$ , 50 pF nominal

### AutoCheck™\_DCV

RANGE	Accuracy
6.000V, 60.00V, 600.0V & 1000V	1.3% + 5d

AutoCheck™ Lo-Z DCV Threshold:

> +1.5VDC & < -1.5VDC nominal

AutoCheck™ Lo-Z DCV Input Impedance:

Initially approx.  $2.5\text{k}\Omega$ , 600pF nominal;  
Impedance increases abruptly within a fraction of a second as display voltage is above 50V (typical). Ended up impedances vs display voltages typically are:

$10\text{k}\Omega$  @100V

$60\text{k}\Omega$  @300V

$200\text{k}\Omega$  @600V

$420\text{k}\Omega$  @1000V

### AC Voltage

RANGE	Accuracy
50Hz ~ 400Hz	
6.000V, 60.00V, 600.0V & 1000V	1.2% + 5d

Input Impedance:  $10\text{M}\Omega$ , 50 pF nominal

### AC+DC Voltage (Model 197 Only)

RANGE	Accuracy
DC, 50Hz ~ 400Hz	
6.000V, 60.00V, 600.0V & 1000V	1.4% + 7d

Input Impedance:  $10\text{M}\Omega$ , 50 pF nominal

### AutoCheck\_ACV

RANGE	Accuracy <sup>1)</sup>
50Hz ~ 60Hz	
6.000V, 60.00V, 600.0V & 1000V	1.5%+5d

AutoCheck™ Lo-Z ACV Threshold:

> 1.5V(50/60Hz) nominal

AutoCheck™ Lo-Z ACV Input Impedance:

Initially approx.  $2.5\text{k}\Omega$ , 600pF nominal;  
Impedance increases abruptly within a fraction of a second as display voltage is above 50V (typical). Ended up impedances vs display voltages typically are:

$10\text{k}\Omega$  @100V

$60\text{k}\Omega$  @300V

$200\text{k}\Omega$  @600V

$420\text{k}\Omega$  @1000V

**VFD\_ACV (with Low Pass Filter )**

RANGE	Accuracy <sup>1)</sup>
10Hz ~ 20Hz	
6.000V, 60.00V, 600.0V & 1000V	4%+80d
20Hz ~ 200Hz	
6.000V, 60.00V, 600.0V & 1000V	2%+60d
200Hz - 400Hz <sup>2)</sup>	
6.000V, 60.00V, 600.0V & 1000V	7%+80d

<sup>1)</sup>Not specified for fundamental frequency > 400Hz

<sup>2)</sup>Accuracy linearly decreases from 2% + 50d @ 200Hz to 7% + 80d @ 400Hz

**CREST-MAX Capture Mode**

Accuracy: Specified accuracy plus 250 digits for changes > 5ms in duration

**Ohm & AutoCheck™\_Ohm <sup>1)</sup>**

RANGE	Accuracy
600.0Ω, 6.000KΩ, 60.00KΩ	0.5%+5d
600.0KΩ	0.8%+5d
6.000MΩ	1.2%+5d
40.00MΩ	2.3%+5d

Open Circuit Voltage: 0.45VDC typical

<sup>1)</sup>AutoCheck™ Ohm Threshold:  
< 10.00MΩ nominal

**Audible Continuity Tester**

Audible Threshold: Between 10Ω and 200Ω  
Response time: 32ms approx.

**Capacitance**

RANGE	Accuracy <sup>1)</sup>
60.00nF, 600.0nF, 6.000μF	2.0%+5d
60.00μF, 600.0uF	3.5%+5d <sup>2)</sup>
2000μF	4.0%+5d <sup>2)</sup>

<sup>1)</sup>Accuracies with film capacitor or better

<sup>2)</sup>Temperature Coefficient: 0.25 x (specified accuracy)/ °C @ (0°C -- 18°C or 28°C -- 40°C)

**Diode Tester**

RANGE	Accuracy
1.000V	1.0% + 3d

Test Current: 0.56mA typically

Open Circuit Voltage: < 1.8VDC typically

**DCA Current (Clamp on)**

RANGE	Accuracy <sup>1) 2)</sup>
200.0A	2.0%+5d
0~500A	2.0%+5d
500~2000A	3.0%+5d

<sup>1)</sup>Induced error from adjacent current-carrying conductor: <0.1A/A

<sup>2)</sup>Specified with Relative Zero  $\Delta$  mode applied to offset the non-zero residual readings, if any

**Temperature (Model 197 only)**

RANGE	Accuracy
-50 °C ~ 1000 °C	0.3% +4d
-58 °F ~ 1832 °F	0.3% + 6d

K-type thermocouple range & accuracy not included

**ACA Current (Clamp on)**

RANGE	Accuracy <sup>1)</sup>
<b>50Hz ~ 60Hz</b>	
200.0A	2.0%+5d
0~500A	2.5%+5d
500~2000A	3.0%+5d
<b>40Hz ~ 50Hz &amp; 60Hz ~ 400Hz</b>	
200.0A	2.5%+5d
0~500A	3.0%+5d
500~1000A	3.5%+5d
1000~2000A	unspecified

True RMS Crest Factor (Model 197 only):  
 < 1.4 : 1 at full scale & < 2.8 : 1 at half  
 scale

<sup>1)</sup>Induced error from adjacent current-carrying conductor: < 0.1A/A

**DC+ACA Current (Clamp on)  
(Model 197 Only)**

RANGE	Accuracy <sup>1) 2)</sup>
<b>DC, 50Hz ~ 60Hz</b>	
200.0A, 2000A	3.0%+8d
<b>40Hz ~ 50Hz &amp; 60Hz ~ 400Hz</b>	
200.0A	3.5%+8d
0~1000A	3.5%+8d
1000~2000A	unspecified

True RMS Crest Factor:  
 < 1.4 : 1 at full scale & < 2.8 : 1 at half  
 scale

<sup>1)</sup>Induced error from adjacent current-carrying conductor: < 0.1A/A

<sup>2)</sup>Specified with Relative Zero  $\Delta$  mode applied to offset the non-zero residual readings, if any

**Hz Line Level Frequency**

Function	Sensitivity (Sine RMS)	Range
6V	2V	40Hz ~ 1999Hz
60V	20V	40Hz ~ 1999Hz
600V	100V	40Hz ~ 1999Hz
1000V	600V	40Hz ~ 1999Hz
200A	10A	20Hz ~ 400Hz
2000A	40A	20Hz ~ 400Hz
VFD 6V <sup>1)</sup>	1V~2V	10Hz ~ 400Hz
VFD 60V <sup>1)</sup>	6~20V	10Hz ~ 400Hz
VFD 600V <sup>1)</sup>	60V~200V	10Hz ~ 400Hz

Accuracy: 0.1%+4d

<sup>1)</sup>VFD sensitivity linearly decreases from 10% F.S. @ 200Hz to 40% F.S. @ 400Hz

**Non-Contact EF-Detection**

Typical Voltage	Bar-Graph Indication
20V (tolerance: 10V ~ 36V)	-
55V (tolerance: 23V ~ 85V)	---
110V (tolerance: 59V ~ 600V)	-----

Indication: Bar-graph segments & audible beep tones proportional to the field strength

Detection Frequency: 50/60Hz

Detection Antenna: Top side of the stationary jaw

Probe-Contact EF-Detection: For more precise indication of live wires, such as distinguishing between live and ground connections, use the Red (+) test probe for direct contact measurement

**- NOTE -**

## LIMITED WARRANTY

BRYMEN warrants to the original product purchaser that each product it manufactures will be free from defects in material and workmanship under normal use and service within a period of one year from the date of purchase. BRYMEN's warranty does not apply to accessories, fuses, fusible resistors, spark gaps, batteries or any product which, in BRYMEN's opinion, has been misused, altered, neglected, or damaged by accident or abnormal conditions of operation or handling.

To obtain warranty service, contact your nearest BRYMEN authorized agent or send the product, with proof of purchase and description of the difficulty, postage and insurance prepaid, to BRYMEN TECHNOLOGY CORPORATION. BRYMEN assumes no risk for damage in transit. BRYMEN will, at its option, repair or replace the defective product free of charge. However, if BRYMEN determines that the failure was caused by misused, altered, neglected, or damaged by accident or abnormal conditions of operation or handling, you will be billed for the repair.

THIS WARRANTY IS EXCLUSIVE AND IS IN LIEU OF ALL OTHER WARRANTIES, EXPRESSED OR IMPLIED, INCLUDING BUT NOT LIMITED TO ANY IMPLIED WARRANTY OR MERCHANTABILITY OR FITNESS FOR A PARTICULAR PURPOSE OR USE. BRYMEN WILL NOT BE LIABLE FOR ANY SPECIAL, INDIRECT, INCIDENTAL OR CONSEQUENTIAL DAMAGES.



BRYMEN TECHNOLOGY CORPORATION

TEL:+886 2 2226 3396

FAX:+886 2 2225 0025

<http://www.brymen.com>



PRINTED ON RECYCLABLE PAPER, PLEASE RECYCLE

COPYRIGHT © MMXII Btc,

ALL RIGHTS RESERVED

P/N: 7M1C-1221-0000

PRINTED IN TAIWAN